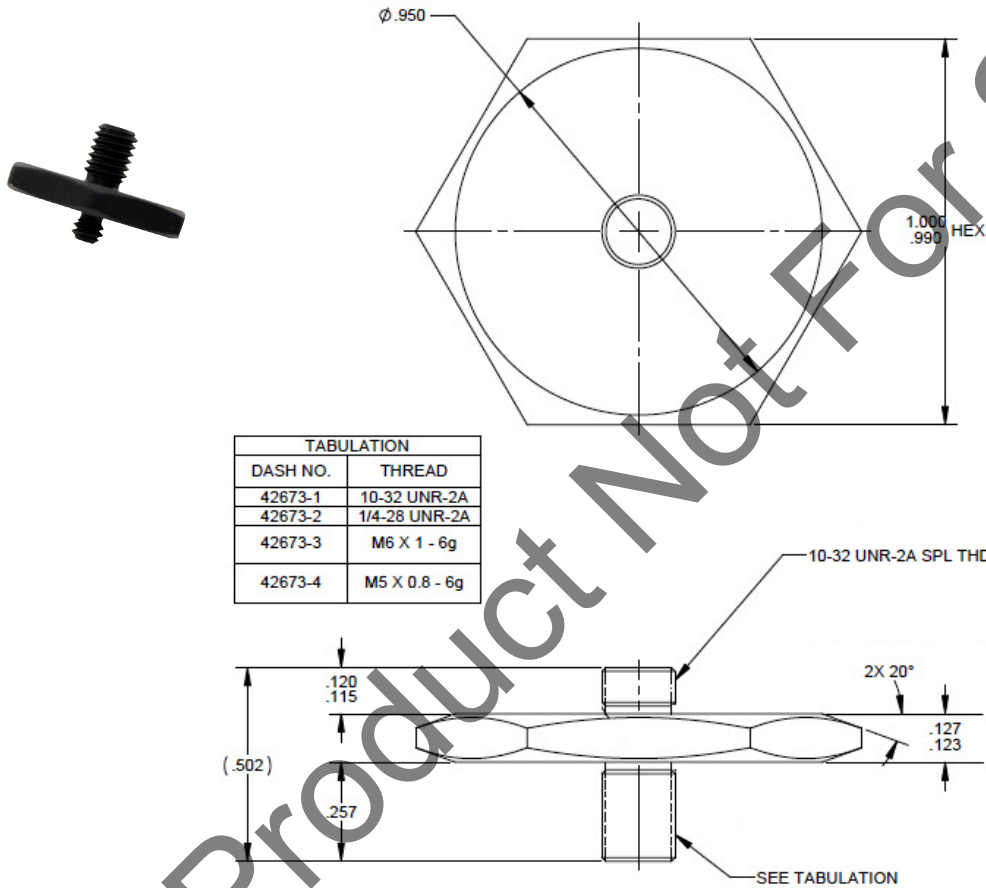


Mounting adapter 42673

Accessory



Isolated mounting adapter with 1 inch hex for use with accelerometers with a 10-32 thread.

Specifications

	42673-1	42673-2	42673-3	42673-4
Thread size, mounting side	10-32	1/4-28	M6	M5
Thread size, accel side	10-32	10-32	10-32	10-32
Material	Anodized aluminum	Anodized aluminum	Anodized aluminum	Anodized aluminum
Weight (grams)	5.2	5.2	5.1	5.0
Isolated	Yes	Yes	Yes	Yes



Continued product improvement necessitates that Endevco reserve the right to modify these specifications without notice. Endevco maintains a program of constant surveillance over all products to ensure a high level of reliability. This program includes attention to reliability factors during product design, the support of stringent Quality Control requirements, and compulsory corrective action procedures. These measures, together with conservative specifications have made the name Endevco synonymous with reliability. 082619